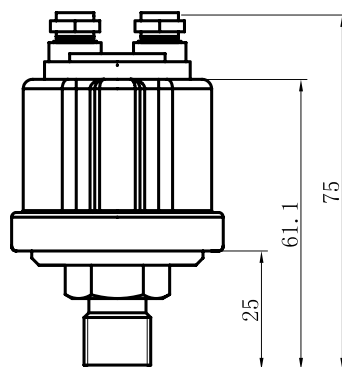
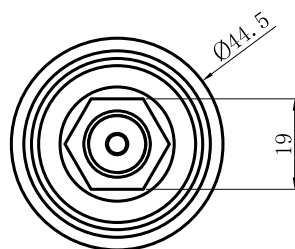


YG2221E

Engine oil pressure sensor



Dimension in:mm

YG2221E motor oil pressure sensor is used together with oil pressure meter and alarm lamp. It can sense change of oil pressure in main tube of engine, and transfer it into resistance variety, then output it to oil meter to indicate current oil pressure. When the oil pressure falls to presetted value, the alarm lamp will be cut-on. YG2221E utilizes palladium cermet printed circuit board, which features ultra-long life and high reliability.

Specification

Model	YG2221E
Measuring Range	0~6bar
Output	90~200Ω (other range is available on request)
Supply Power	12/24VDC
Alarm Pressure	0.8bar
Pressure Type	Absolute Pressure
Operation Temperature Range	-30℃~130℃
Sample Line Connection	1/4NPT(other connection is available on request)
Electrical Connection	G-Pressure Meter, WK-Alarm

Conversion:1bar=14.5psi 1MPa=10bar