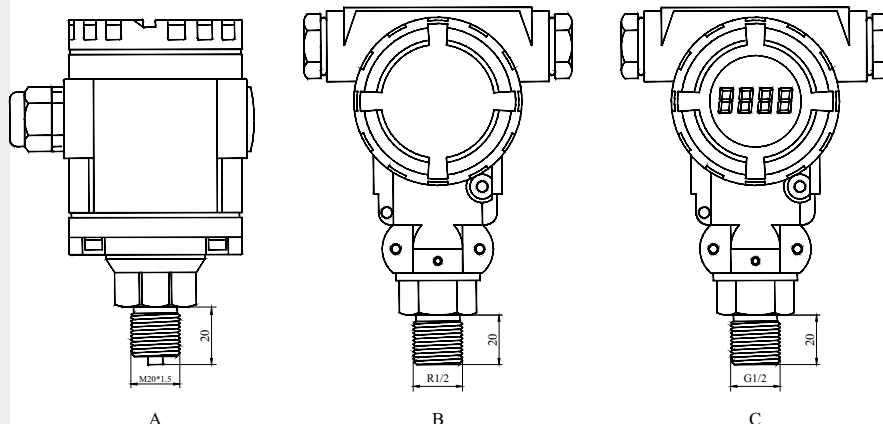


TS200

Pressure transmitter

LEFOO



Dimension:mm

TS200 series pressure transmitter is safety explosion-proof and explosion-proof isolation type, with high quality and reasonable price. It's widely used in testing pressure of gas and liquid, like water, oil and light corrosive liquid and gas. TS200 has stainless steel 1Cr18Ni9Ti pressure head, high precision pressure chip, appropriate V/I transformer. And it's easy to calibrate zero to full range.

Features

- 0.5%F.S accuracy
- With upper and lower limit alarm
- Stress resistance buffer connector
- A variety of pressure range and output signal
- A variety of electrical connectors and pressure connections
- Non-polar 2-wire output of current
- Displayer is available
- Safety explosion-proof, explosion-proof isolation and CE certificate

Application

- Water supply with constant pressure
- Compression natural gas
- Four remotes system of tap water
- Central air-conditioning
- Automatic inspection system
- The well real-time management
- Pressure measure of pipe and tank
- Heat supply of boiler

Specification

Model	TS200		
Measure Range	0~0.2MPa.....60MPa		
Overload Pressure	2 times full scale		
Broken Pressure	3 times full scale		
Accuracy	±0.5%F.S		
Stability	Typical 0.25%F.S, Max 0.4%F.S		
Operating Temperature	-40℃~85℃		
Compensating Temperature	-10℃~70℃		
Medium Compatibility	Corrosive medium compatible with stainless steel Cr18Ni9Ti,316L		
Wires	Two-wire	Three-wire	
Signal Output	4~20mA	0/1~5Vdc	0~10Vdc
Power Supply	10~30Vdc	8~30Vdc/ac	11~30Vdc/ac
Load Resistance	(U-10)/0.02(Ω)	>100kΩ	
Insulation	>100M Ω@50V		
Electric strength	500V@60 second		
Vibration/Impact	10g/5~2000Hz, axes X/Y/Z20gsine 11ms		
Electrical connection	Water proof wirelead, enclosure IP65		
Pressure Connection	M20×1.5, G1/2, R1/4, NPT1/2		
Endurance	2×10 ⁶ pressure cycles @25℃		
Pressure Type	Gauge pressure G, Sealed gauge pressure		
Response Time	10 ms		
Display Range	-9999~99999@ TS200		
Certificate	CE, Intrinsically safe E,Explosion-proof D		
EMC	EMI: EN50081-1/-2; EMS: EN50082-2		