

LFSV-D Series Solenoid Valve



Product Description

- Model LFSV-D solenoid valve is a one-step on/off or two-step on/off solenoid valve, which is applicable to one-way flow
- Model LFSV-D solenoid valve is used on the piping of liquid, suction gas or hot air on the freezing, cold storage and air conditioner units.
- The valve seat and seals of Model LFSV-D solenoid valve have excellent sealing performance .
- The coil of various voltages is available for Model LFSV-D solenoid valve with a universal valve body.
- Model LFSV-D solenoid valve could be supplied in assembly or in separate components, that is, the valve body and the coil could be supplied separately

Features

The proprietary coil is an entirely sealed design with an effective waterproof performance and a long service life (IP65)

The solenoid coil could be operated properly even under unstable voltage.

Various AC and DC solenoid coils are available for choice.

Clip type solenoid coil is convenient in assembly and disassembly.

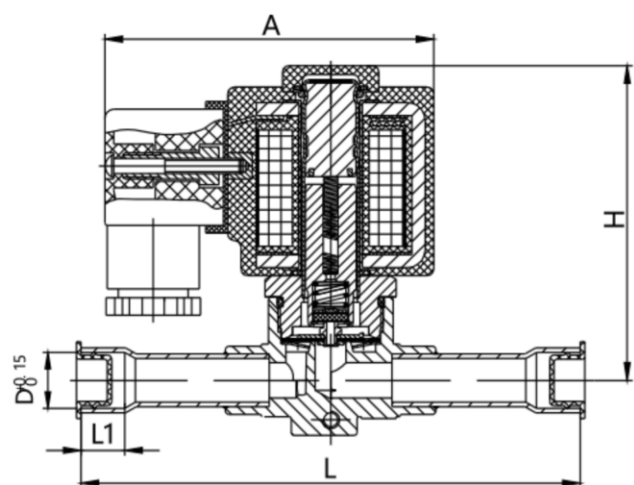
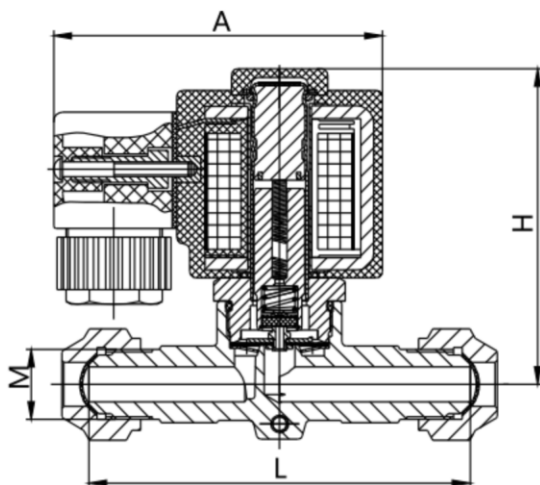
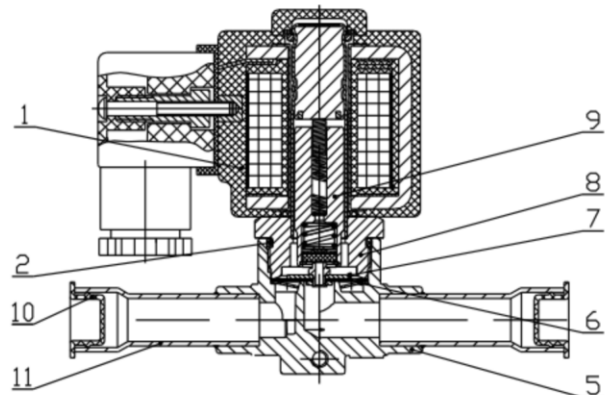
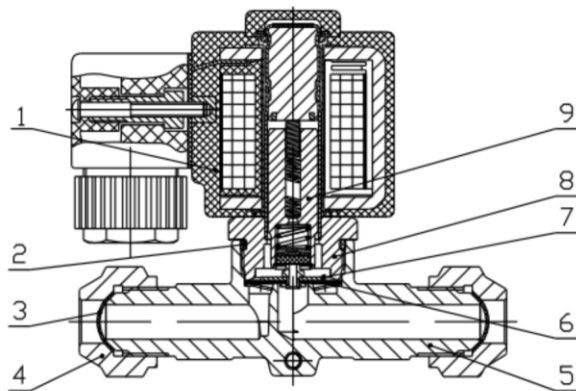
It is applicable to various compressors in the refrigeration, cold storage and air conditioning facilities.

Technical Parameters

Applicable Refrigerants	HCFC、HFC and related medium viscosity $\leq 2^{\circ}\text{E}$ lubricant oil
Applicable Medium Temperature	-30°C~ +105°C
Application Ambient Temperature of Solenoid	-40°C~ +65°C
Standard Voltage of Solenoid	AC380V、220V、110V、24V/ 50、60Hz、DC12V
Allowable Voltage Fluctuation for Solenoid	+10%~ -15%
Connection of Solenoid	Standard 3-wire insert connector

Structure

Model	Overall Dimension						Weight(g)
	A	H	L	L1	øD	M	
LFSV-D-2	70	65	58	—	—	7/16-20UNF	395
LFSV-D-2	70	65	90	7	6.5	—	395
LFSV-D-3	70	65	64	—	—	5/8-18UNF	450
LFSV-D-3	70	65	104	8	10.1	—	450
LFSV-D-3	70	72	87	—	—	5/8-18UNF	496
LFSV-D-3	70	72	108	8	10.1	—	496
LFSV-D-4	70	72	89	—	—	3/4-16UNF	503
LFSV-D-4	70	72	114	10	12.8	—	458
LFSV-D-5	70	75	104	—	—	7/8-14UNF	746
LFSV-D-5	70	75	152	14	16.1	—	598
LFSV-D-6	70	75	104	—	—	1-1/16-14UNF	816
LFSV-D-6	70	75	158	16	19.2	—	616
LFSV-D-7	70	88	180	17	22.3	—	1020



1. solenoid coi 2. O-Ring 3. sealing cap 4. nut 5. valve body
 6. plate 7. valve element 8. valve seat 9. core cap 10. dust cap 11. pipe