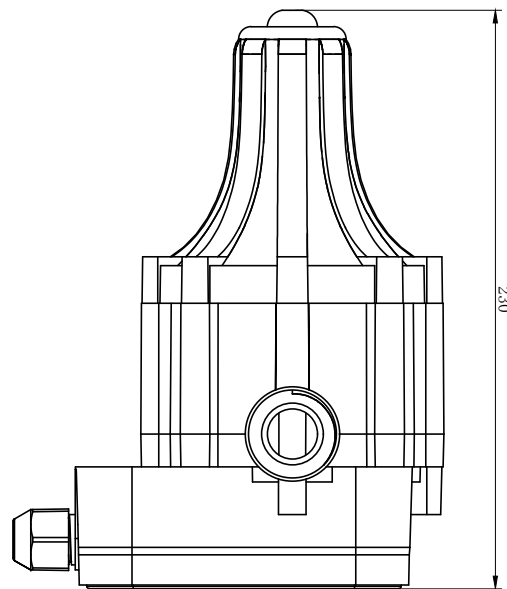
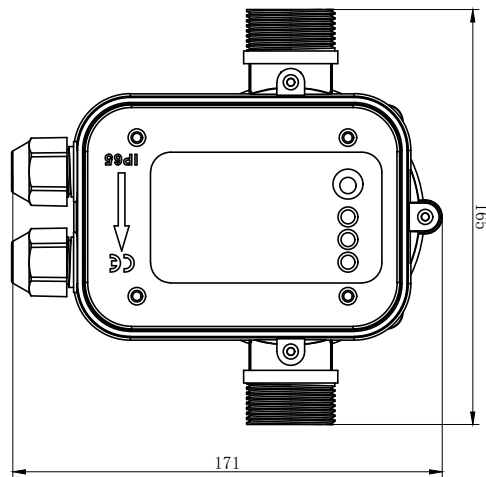


# LFPC-1

## Automatic water pump controller



Dimension in :mm

Automatic water pump controller is the electronic intelligent water pump control equipment, which can completely replace traditional strong power control system composed of pressure tank, pressure switch, water shortage protection device, check value and four ports, also saving time and material when installation. Control cabinet with complete isolation of electric part and pipe and high sealing make controller own characteristics of safety, environmental protection, long life, stable performance, less maintenance and no noise, which is better than traditional pressure and preferred by family.

Matters need attention :

- 1.Setting pressure is not adjustable.
- 2.Need to install on water pump with power greater than 200W.
- 3.Don't install any faucet between controller and pumps.
- 4.The distance between controller and the highest faucet shouldn't exceed 15M.

### Specification

Model	LFPC-1
Rated voltage	220-240VAC
Maximum working pressure	10bar
Frequency	50-60Hz
Connection	R1"
Maximum current	8A
Protection level	IP65
Maximum power	1.5kW(2HP)
Maximum operating temperature	65°C
Factory setting	1.5bar, stop when water pressure reach 3.5bar