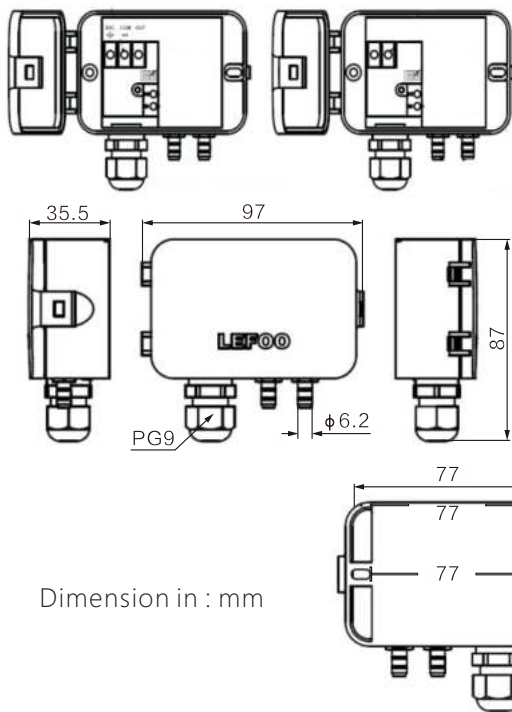


LFM108

Differential pressure transmitter



LFM108 differential pressure transmitter detect differential pressure or gauge pressure then convert this pressure difference to a proportional analogue output signal. Two output version are offered: Voltage output of 0~10VDC, and a current output 4-20mA. LFM108 differential pressure transmitter ranges from 0~±50Pa to 0~±10000Pa.

LFM108 Order Ref NO

LFM108 - 101G or 051D - VZ

A **B** **C**

A one-way	B two-way	C Output
101G=0~100Pa	051D=0±50Pa	AL=4~20mA
251G=0~250Pa	101D=0±100Pa	VL=0~10VDC
501G=0~500Pa	251D=0±250Pa	VZ=0~5VDC
102G=0~1000Pa	501D=0±500Pa	
252G=0~2500Pa	102D=0±1000Pa	
502G=0~5000Pa	252D=0±2500Pa	
103G=0~10000Pa	502D=0±5000Pa	
	103D=0±10000Pa	

Specification

MODEL	value
Accuracy	±1.0%FS
Compensated temperatures	-10~60
Zero/Full range deviation%FS/%C	±0.01°C
Over pressure capacity	×15
Output signal	0~5/10VDC\3-wire;4~20mA\2-wire
Supply voltage	0~5/10VDC\12~30VDC;4~20mA\10~30VDC
An external load	0~5/10VDC≥50KΩ;4~20mA≤250Ω
Response time	0.5s,1s,2s,4s
Compensation temperature	-10~60°C
Operation Temperature	-10~60°C;-40~85°C
Shell material	Industrial plastic, flame retardant grade UL94-V0
Connection	Metal agnail interface , Ø6.2mm
Cable connector	Cable diameter Ø8mm
Weight	140g

Conversion:1in W.C.=249Pa 1MPa=100Pa