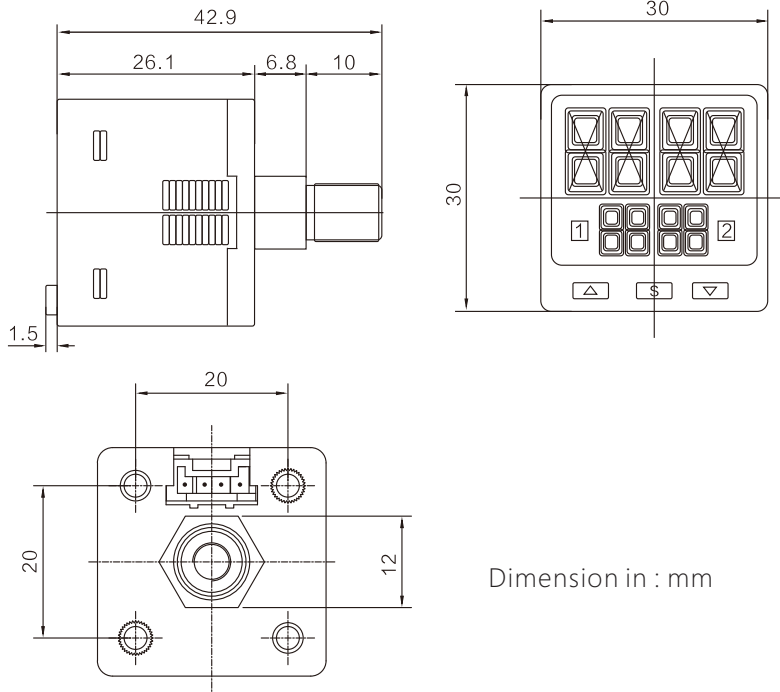


LFDS10 Series

High-precision digital Pressure switch



LFDS101/LFDS102 Series can measure the pressure with high reliability sensor. After processing by the back-end circuit, the signal will be converted into a standard industrial electrical signal. Then it will be output and displayed. These products have plastic shell design, high contrast, double screen digital display LCD. So this series of products can be used in various industrial applications. The product with 3 key design and user friendly menu will be more convenient to use. Different connections can fully meet the specific installation requirements. Users can adjust the working parameters of built-in set items. That is very flexible and convenient. The characteristics of this series are Shock resistant, long service life, simple operation and clear display.

LFDS101(2) Order Ref NO

LFDS101-S-E-N-W
A B C D E

A Pressure Range	B Output characters (Note1)	C Connection Type	D Switching value type	E Special status (Note2)
1=High pressure type(-100~1000kPa)	S=Standard type	R=R1\8+M5 Female screw	N=NPN	W=No
2=Low pressure type(-100~100kPa)	A=Current output type V=Voltage output type	E=G1\8+M5 Female screw M=M5 Female screw	P=PNP	X=Special specification J=Customized

Note 1:Standard type:2 switch interface(PNP or NPN);Current type:1 switch interface (PNP or NPN) +1analogue(4-20mA);Voltage type:1switch interface(PNP or NPN)+1 analogue(1-5V).
Note 2:Any question,please contact us.

Specification

Item\Model	LFDS102	LFDS101
Pressure Type	Standard pressure	
Pressure Range	(-100~100kPa)	(-100~1000kPa)
Proof Pressure	3 times	1.5 times
Media	Non-hazardous gas only	
Rated voltage	12~24VDC	
Current Consumption	<20mA (when no load)	
Switch output	<NPN Output type>:NPN open collector transistor,Max current:100mA,Pressure drop: <1.5V <PNP Output type>:PNP open collector transistor,Max current:100mA,Pressure drop: <1.5V	
Output Setting	NO/NC	
Hysteresis	1-8 level (Default 3 level)	
Repeatability	±0.3%F.S	
Comprehensive precision	±1%F.S	
Response Time	2.5\5\10\25\250\500\1000\5000ms	
Analog voltage output	1-5V±5% (Limit for current output type)	
Analog current output	4-20mA±5% (Limit for voltage output type)	
Storage Temperature	-10~60°C	
Operating Temperature	0~50°C	
Temperature Character	±2.5%F.S	
Enclosure	CN-14A-C2(with connector cable,2m)	