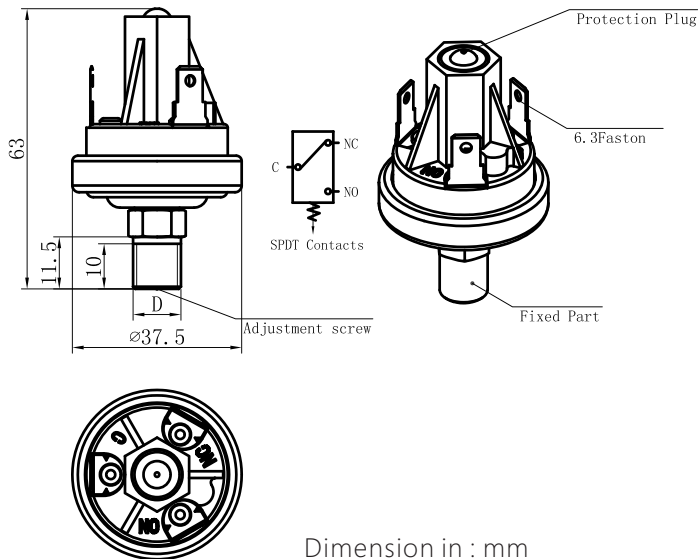


## LF20-V

### Vacuum Pressure switch



LF20-V vacuum switch is specifically designed to stand up to extended duty applications. This switch is factory set. It features a fluorosilicone rubber diaphragm for compatibility with a wide variety of fluids, and various terminations including a Metri-Pack connector that forms a tight seal when connected. Among the outstanding design benefits are its durable construction, compact size, and enhanced set point integrity.

### LF20-V Order Ref NO

LF20-V -4 1 1 1 1 1 -20"Hg  
**A B C D E F** Pressure setting: 20"Hg

Number	Pressure Set Point Range	Circuitry	Base Material	Connection	Terminals	Cover
0	/	/	/	/	/	none
1	1.1-3"Hg(15-41"H2O)±0.5"Hg	<b>B</b> SPST-NC	<b>C</b> barss	<b>D</b> 1/8NPT	<b>E</b> 1/4 blade	<b>F</b> cover A
2	4-8"Hg±1"Hg	SPST-NO	plated steel	1/4NPT	#8-32screws	cover B
3	9-17"Hg±2"Hg	SPDT-NO-C-NC	stainless steel	R1/8	wire leads	/
4	<b>A</b> 18-22"Hg±3"Hg	SPST-NO(adjustable)	/	R1/4	/	/
5	/	SPDT-NO-C-NC(adjustable)	/	G1/8	/	/
6	/	/	/	G1/4	/	/

### Specification

MODEL	LF20-V
Media	Air
Pressure Set Point	Factory set from 1.1 to 22 in/Hg vacuum
Max Operating Pressure	30 in/Hg vacuum
Burst Pressure	150 psi
Operating Temperature Range	-40°C to +120°C
Switch Type	Direct action, blade contact
Electric Rating	Resistive : 15AMP-6VDC, 8AMP-12VDC, 4AMP-24VDC
	Inductive : 1AMP-120VAC, 0.5AMP-240VAC
Contact Arrangement	SPST-NO,NC
Terminal	#8-32 screws, 1/4" blade, Metri-Pack
Connection	1/8"NPT Male, 1/4"NPT Male, G1/8"Male, G1/4"Male
Material	Contact: Silver alloy, gold plated ; Base: Plated Steel ; Cover: Glaee reinforced polyester ; Diaphragm: Fluorosilicone elastomer
Options	Various base connector sizes, wire leads(potted & sealed)

Conversion: 1kgf/cm<sup>2</sup>=14.2psi 1bar=14.5psi 1 in/Hg=0.49psi