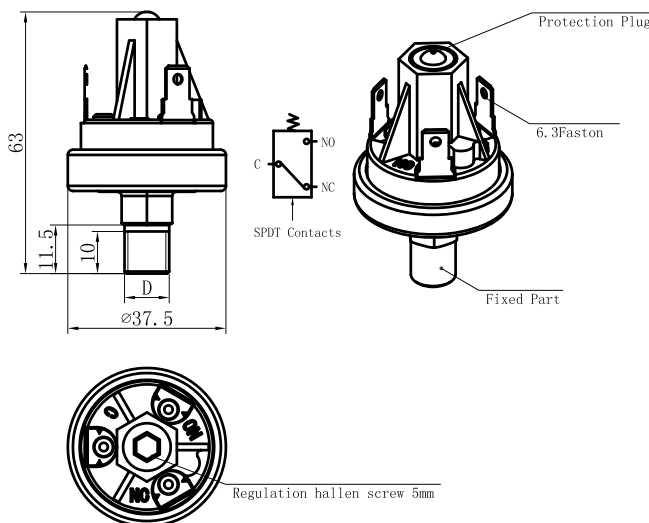


## LF20-H

Ultra duty pressure switch



Dimension in:mm

The LF20-H pressure switches are robust, compact and designed to operate in harsh environments at various pressures. The switch is factory calibrated but in the case that adjustment is needed in the field the switch offers an adjustment screw to facilitate any fine tuning required. The standard diaphragm employed is polyimide making it compatible with many gases and liquids. Several other diaphragm materials are available that make the switch compatible with many mediums. Various electrical terminations are available including tabs and a metric-pack connector that forms a tight seal when connected.

### LF20-H Order Ref NO

LF20-H -4 1 2 1 1 1 -175psi

**A B C D E F** Pressure setting: 175psi

Number	Pressure Set Point Range	Circuitry	Base Material	Connection	Terminals	Cover
0	/	/	/	/	/	none
1	10-35psi±3psi	<b>B</b> SPST-NC	/	<b>D</b> 1/8NPT	<b>E</b> 1/4 blade	<b>F</b> cover A
2	35-75psi±7psi	SPST-NO	<b>C</b> plated steel	1/4NPT	#8-32 screws	cover B
3	75-150psi±10psi	SPDT-NO-C-NC	stainless steel	R1/8	wire leads	/
4	<b>A</b> 150-250psi±20psi	SPST-NO(adjustable)	/	R1/4	/	/
5	250-400psi±50psi	SPDT-NO-C-NC(NO.adjustable)	/	G1/8	/	/
6	/	/	/	G1/4	/	/

### Specification

The polyimide diaphragm is not suit for water, if customer is to use the pressure switch in water, please contact the factory.

Model	LF20-H
Media	Air,water,motor oils,transmission oils,jet fuels and other similar Hydrocarbon Media
Pressure Set Point	Factory set from 10 to 400psi
Max Operating Pressure	500 psi
Proof Pressure	2000 psi
Burst Pressure	4000 psi
Operating Temperature Range	-40℃ to +120℃
Switch Type	Direct action,blade contact
Electric Rating	Resistive: 15AMP-6VDC, 8AMP-12VDC, 4AMP-24VDC
	Inductive: 1AMP-120VAC, 0.5AMP-240VAC
Contact Arrangement	SPST-NO,NC,SPDT
Terminal	#8-32 screws,1/4" blade,Metri-Pack
Connection	1/8"NPT Male,1/4"NPT Male,G1/8"Male,G1/4"Male
Material	Contact:Silver alloy,gold plated ;Base:Plated Steel ;Cover:Glaee reinforced polyester Diaphragm:Polyimide film(other materials is optional according to media)
Options	Base connector sizes,wire leads,NO/NO.dual circuit and NC/NC.dual circuit

Conversion:1kgf/cm<sup>2</sup>=14.2psi 1bar=14.5psi