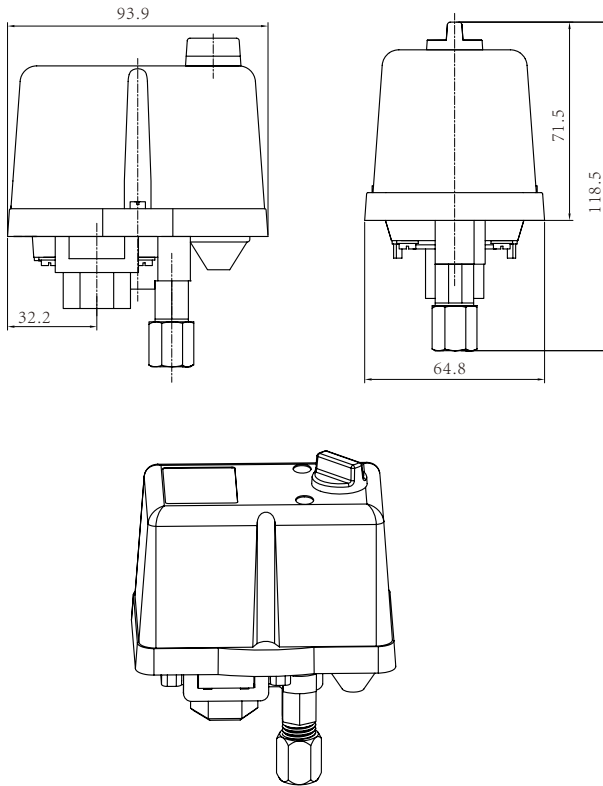


LF19

Air compressor and pump pressure switch



Dimension in:mm



LF19 pressure switches provide time tested, reliable control for automatic water systems. The switch is universally acceptable for use as original equipment on water well pumps or pumping systems. It is available with an On-Off knob for manual cut off the pump.

LF19 Order Ref NO

LF19 - 4 1 1 1 2 1 - 7.5 - 10.5bar

A B C D E F

Pressure setting:Cut in 7.5bar

Cut off 10.5bar

Number	Connection Type		Connection Size	Unloader Valve Type	Unloader Valve Connection	Handle Type
0	/	/	/	without	without	without
1	single port	B female	C G1/4	D vertical	Φ6.0mm	F ON/OFF Knob
2	/	/	G1/2	/	E Φ6.4mm	/
3	three ports	/	1/4NPT	/	Φ6.5mm	/
4	A four ports	/	1/2NPT	/	/	/
5	/	/	R1/4	/	/	/
6	/	/	R1/2	/	/	/

Specification

Model	Media	Unloader Valve	Operating Pressure Range	Differential	Factory Setting	Electrical Rating	Contact Arrangement
LF19	Air	With	1-6bar	1-3bar	2-4bar	250VAC 16A/25A	NC
			2-11bar	1.4-3.5bar	6-8bar		
			5-14bar	1.8-4.0bar	8-10bar		

Conversion: 1kgf/cm²=14.2psi 1bar=14.5psi

www.lefoo.com