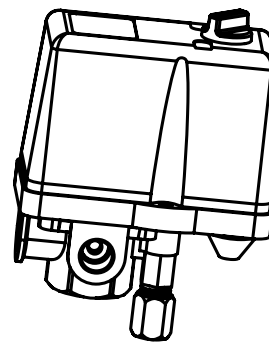
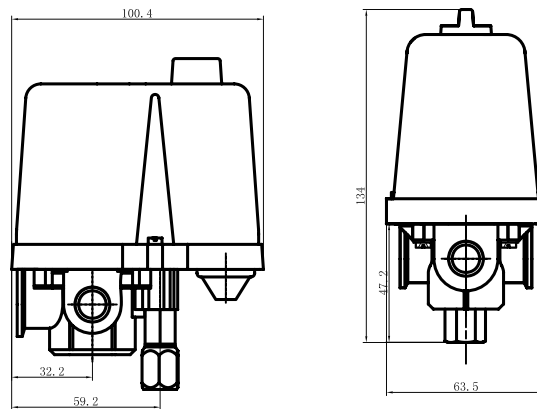


LF18

Air compressor and pump pressure switch



LEFOO



Dimension in:mm

The LF18 pressure switch is used to regulate the tank pressure between two preset values on 3 phase electrically driven air compressors. It is available with an unloader valve, which prevents compressors from starting under load, and it is available with an On-Off knob for manual cut off the compressor.

LF18 Order Ref NO

LF18 -4 H 1 1 1 1 2 -85psi-115psi

A B C D E F Pressure setting:Cut in 8bar Cut off 115psi

Number	Connection Type	Connection Size	Unloader Valve Type	Unloader Valve Connection	Handle Type	
0	/	/	without	without	without	
1	single port	B female	C G1/4	D vertical	E Φ6.0mm	F ON/OFF Knob
2	/	G1/2	/	E Φ6.4mm	/	
3	three ports	1/4NPT	/	Φ6.5mm	/	
4	A four ports	1/2NPT	/	/	/	
5	/	R1/4	/	/	/	
6	/	R1/2	/	/	/	

Specification

Model	Media	Operating Pressure Range	Factory Setting	Differential	Electrical Rating	Contact Arrangement	Connection
LF18	Air	1.0-5.0bar	2.0-4.0bar	1.0-3.0bar	400VAC-3 16A/25A	NC	1/4 or 1/2NPT, G1/4 or 1/2 Female
		2.0-8.0bar	3.8-5.0bar	1.0-3.0bar			
		3.0-11.0bar	5.6-7.0bar	1.4-4.0bar			
		4.0-16.0bar	8.0-10.0bar	1.8-4.5bar			

Conversion:1kgf/cm²=14.2psi 1bar=14.5psi Other connections are available on request.