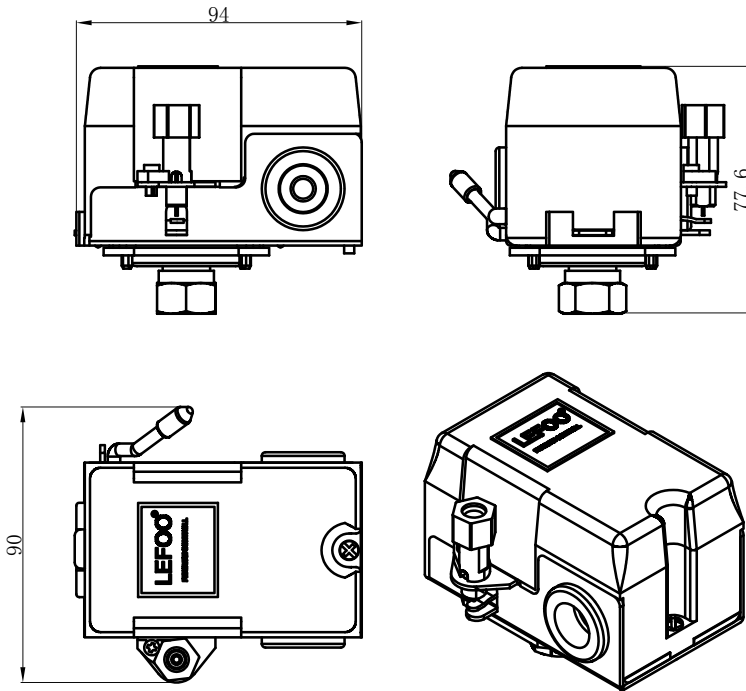


LEFOO

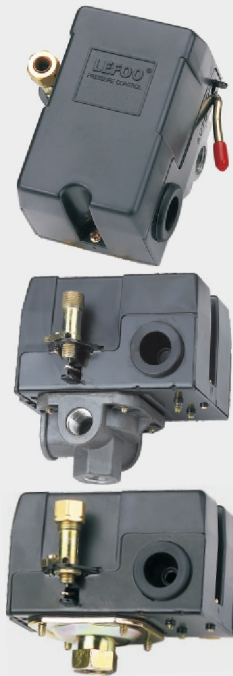


LF10

Air compressor pressure switch



Dimension in:mm



The LF10 pressure switches are used to regulate the tank pressure between two preset values on small (up to 200psi) electrically driven air compressors. They are available with an unloader valve, which prevents compressors from starting under load, and an auto-off disconnect lever for manual cut off the compressor. A four port manifold style is available which provides a means for easy mounting of valves and gauges.

LF10 Order Ref NO

LF10(A) -4 H 1 1 1 2 3 -85psi-115psi
A B C D E F Pressure setting:Cut in 85psi Cut off 115psi

Number	Connection Type	Connection Size	Unloader Valve Type	Unloader Valve Connection	Handle Type
0	/	/	Without	Without	Without
1	single port	B female	C 1/4NPT	D vertical	Φ6.1mm long and bend
2	/	male	3/8NPT	horizontal	E Φ6.4mm long and straight
3	/	/	R1/4	/	Φ6.5mm F short and bend
4	A four ports	/	R3/8	/	short and straight
5	/	/	G1/4	/	/
6	/	/	G3/8	/	/

Specification

Model	Media	Operating Pressure Range	Factory Setting	Differential	Electrical Rating	Contact Arrangement	Connection
LF10	Air	25-100psi	55-80psi	20-35psi	20A/120VAC 12A/240VAC	NC	1/4,3/8Male or Female NPT (1Port) 1/4 Female NPT (4Ports)
	Air	35-150psi	85-115psi	30-40psi			
	Air	50-175psi	110-150psi	35-55psi			
	Air	70-190psi	130-175psi	40-55psi			
LF10A	Air	25-100psi	55-80psi	20-35psi	26A/120VAC 26A/240VAC	NC	1/4,3/8Male or Female NPT (1Port) 1/4 Female NPT (4Ports)
	Air	35-150psi	85-115psi	30-40psi			
	Air	50-175psi	110-150psi	35-55psi			
	Air	70-190psi	130-175psi	40-55psi			

Conversion:1kgf/cm²=14.2psi 1bar=14.5psi Other connections are available on request.