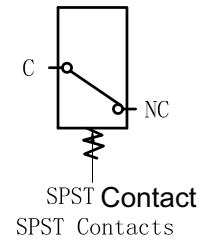
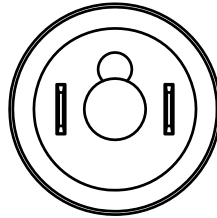
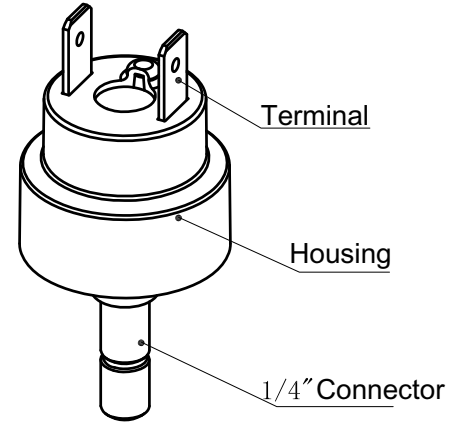
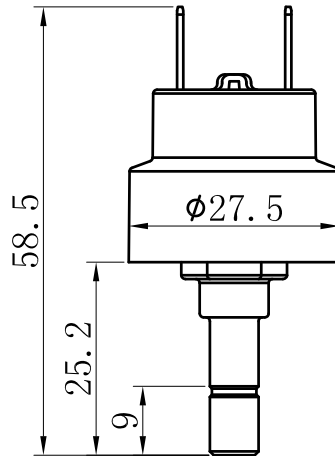


# LF08E

Pressure switch for water purifier

**LEFOO**



Dimension in :mm

This product is specially designed for water purifier, which can replace traditional high-low pressure switch. It is more sensitive action and used for wider range of applications.

## Specification

Item	LF08E
Pressure range	0.05 ~ 0.35MPa
Performance	One pressure setting/ Two pressure setting
Proof pressure	1.2MPa
Burst pressure	3.2MPa
Terminal	6.3mm or 4.8
Temperature range	-20°C ~ 120°C
Circuitry	SPST(NC or NO)
Electric rating	250VAC 3A
Media	Air , Water