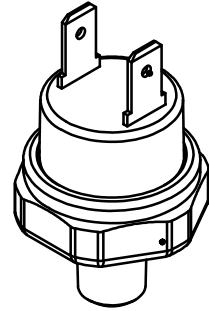
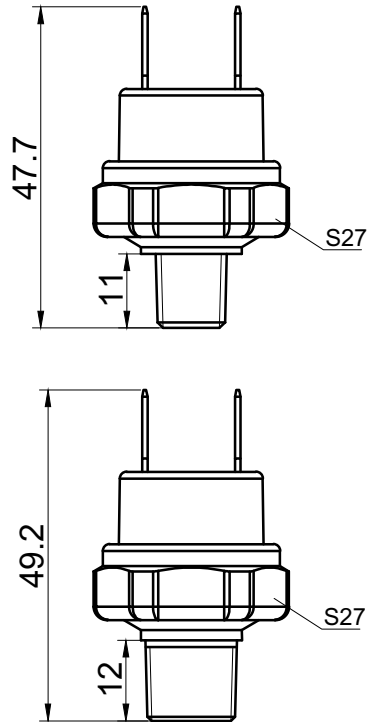


# LF08D

Small multi-purpose pressure switch



Dimension in:mm

LF08D series pressure switch is a switch with automatic reset design. With a wide pressure setting range, it can be applied to different requirements. It is used for air, water pressure control, electrical refrigeration equipment, indoor air conditioners or internal circuits of indoor cooling devices, domestic cooling systems, and internal circuits of long-distance outdoor condensing devices. Typical applications: High-pressure shutdown switch / air-conditioning/freezing equipment.

## LF08D Order Ref NO

LF08D -1 1 1 1 - 145-175psi

**A B C D** Pressure setting: Reset pressure (Note)  
Action pressure 175psi

Note: Products without deadband can be customized, that is, the action value is approximately the same as the reset value

Number	Circuitry	Base Material	Connection	Electrical connections
1	<b>A</b> SPST-NC	<b>B</b> Environmental protection zinc plating	<b>C</b> 1/8NPT	<b>D</b> 6.35 × 0.8
2	/	aluminium	1/4NPT	4.8 × 0.8
3	/	/	R1/8	/
4	/	/	R1/4	/
5	/	/	G1/8	/
6	/	/	G1/4	/

## Specification

Model	LF08D
Media	Air, Water, motor oils
Pressure Range	60~250PSI
Proof Pressure	20~50PSI
Tolerance	±5PSI
Proof Pressure	400PSI
Burst Pressure	800psi
Operating Temperature Range	-20~65 C
Switch Type	SPST (NC)
Electric Rating	220VAC, 15FLA
Base material	Q235 Environmental protection zinc plating
Endurance	100000
Connection	Please see the selection table (customizable)

Conversion: 1bar=14.5psi 1MPa=10bar